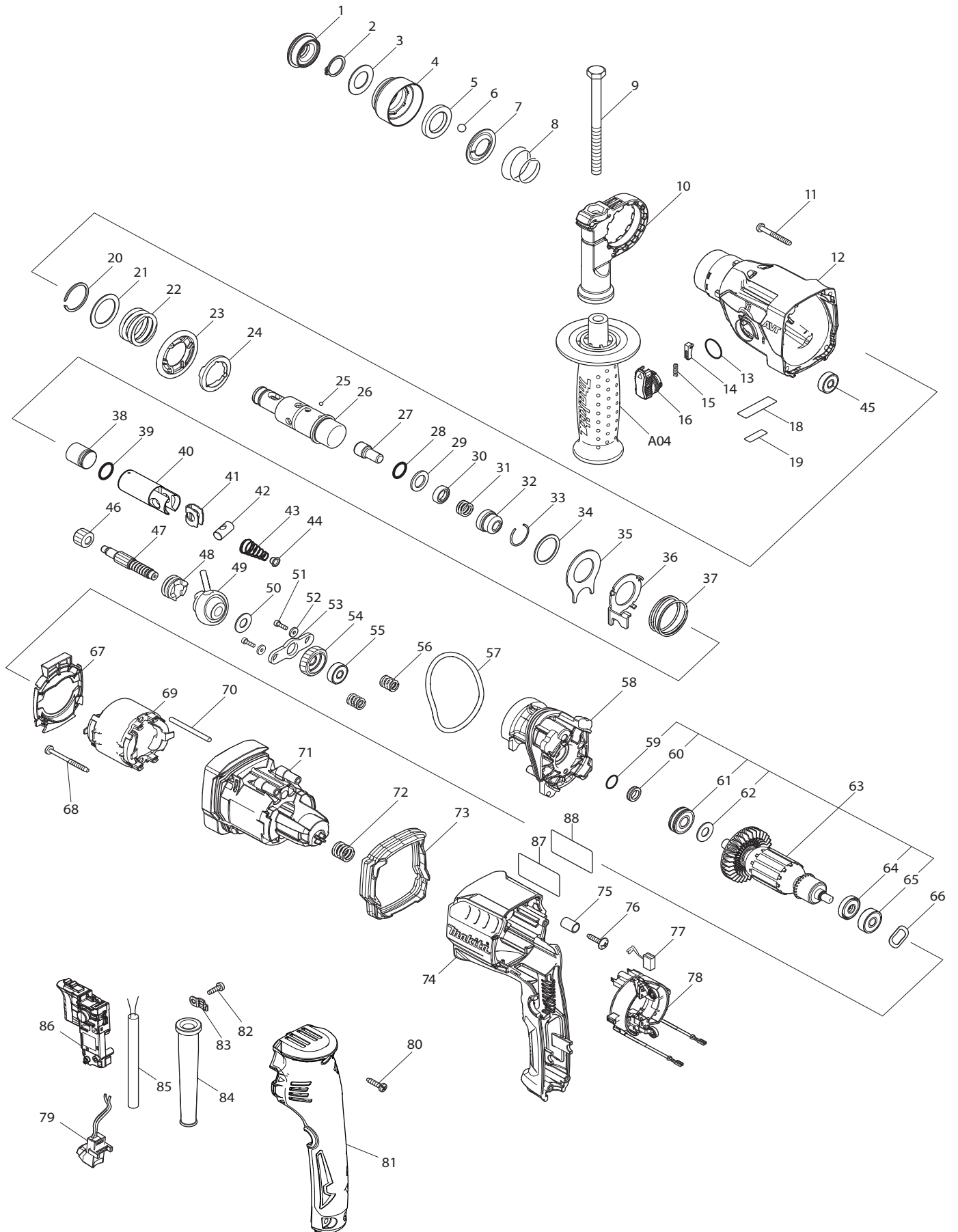




06 - 2017

HR1841F

11/16" Rotary Hammer (SDS Plus) with AVT



Item No.	Type	Sub	Part No.	Description	Qty	Unit
001			286037-3	CAP 34	1	PC.
002			961057-5	RETAINING RING S-17	1	PC.
003			253377-4	FLAT WASHER 17	1	PC.
004			457214-6	CHUCK COVER	1	PC.
005			257416-2	RING 21	1	PC.
006			216022-2	STEEL BALL 7.0	2	PC.
007			346177-0	GUIDE WASHER	1	PC.
008			232347-6	CONICAL COMPRESSION SPRING 21-29	1	PC.
009			921923-8	HEX HEAD BOLT M8X120	1	PC.
010			417911-6	GRIP BASE	1	PC.
011			266053-1	TAPPING SCREW M4X35	4	PC.
		INC.	213636-8	OIL SEAL 25	1	PC.
		INC.	211375-4	BALL BEARING 6805LLB	1	PC.
012			144271-0	GEAR HOUSING COMPLETE	1	PC.
013			213278-8	O RING 17, RUBBER	1	PC.
014			161568-2	LOCK BUTTON COMPLETE	1	PC.
015			232344-2	COMPRESSION SPRING 3	1	PC.
016			161569-0	CHANGE LEVER COMPLETE	1	PC.
018			457356-6	PLATE	1	PC.
019			853K20-7	SERIAL NO. LABEL F/HR1841F	1	PC.
020	2		347555-7	SPIRAL RETAINING RING 25	1	PC.
021			267304-5	FLAT WASHER 25	1	PC.
022			232360-4	COMPRESSION SPRING 25	1	PC.
023			221494-8	SPUR GEAR 44	1	PC.
024			327039-1	DRIVING FLANGE	1	PC.
025			216019-1	STEEL BALL 3	3	PC.
026			326886-7	TOOL HOLDER	1	PC.
027			326887-5	IMPACT BOLT	1	PC.
028			213117-2	O RING 11	1	PC.
029			253380-5	FLAT WASHER 13	1	PC.
030			326888-3	RING 10	1	PC.
031			232357-3	COMPRESSION SPRING 10A	1	PC.
032			327038-3	CUP SLEEVE	1	PC.
033			233942-5	RING SPRING 22	1	PC.
034			267175-0	FLAT WASHER 24	1	PC.
035			345681-6	JOINT PLATE	1	PC.
036			347128-6	CHANGE PLATE	1	PC.
037			233458-0	COMPRESSION SPRING 32	1	PC.
038			326889-1	STRIKER	1	PC.
039			213832-8	O RING 13	1	PC.
040			326890-6	PISTON CYLINDER	1	PC.
041			347127-8	GUIDE PLATE	1	PC.
042			324612-8	PISTON JOINT	1	PC.
043			232361-2	CONICAL COMPRESSION SPRING 6-13	1	PC.
044			347130-9	SPRING GUIDE	1	PC.
045			211016-2	BALL BEARING 626LLB	1	PC.
046			221495-6	SPUR GEAR 12	1	PC.
047			326892-2	CAM SHAFT	1	PC.
048			326891-4	CLUTCH CAM	1	PC.
049			219029-7	SWASH BEARING 9	1	PC.
050			253733-8	FLAT WASHER 9	1	PC.
051			251510-2	HSH BOLT M3X12 W/WRM	2	PC.
052			253381-3	FLAT WASHER 3	2	PC.
053			347129-4	SPRING PLATE	1	PC.
054			221496-4	HELICAL GEAR 23	1	PC.
055			211016-2	BALL BEARING 626LLB	1	PC.
056			232359-9	COMPRESSION SPRING 7	2	PC.
057			213833-6	O RING 60	1	PC.

Item No.	Type	Sub	Part No.	Description	Qty	Unit
058			144270-2	INNER HOUSING COMPLETE	1	PC.
059			213118-0	O RING 12	1	PC.
060			326893-0	RING 9	1	PC.
061			210162-8	BALL BEARING 609LLU	1	PC.
062			267231-6	FLAT WASHER 9	1	PC.
		INC.		Item No. 59-62,64,65		
063			513987-2	ARMATURE ASSY 115V	1	PC.
064			681670-0	INSULATION WASHER	1	PC.
065			210023-2	BALL BEARING 627DDW	1	PC.
066			267804-5	WAVE WASHER 15	1	PC.
067			457350-8	BUFFLE PLATE A	1	PC.
068			266069-6	TAPPING SCREW M4X45	2	PC.
069			633992-4	FIELD	1	PC.
070			256347-2	ROD 4	3	PC.
071			457352-4	MOTOR HOUSING A	1	PC.
072			232358-1	COMPRESSION SPRING 10B	1	PC.
073			424951-7	BELLOWS	1	PC.
		INC.	813A71-2	CAUTION LABEL	1	PC.
074			144680-3	HANDLE COMPLETE	1	PC.
075			257417-0	SLEEVE 8	2	PC.
076			251530-6	TAPPING SCREW M4X18	2	PC.
077			195025-8	CARBON BRUSH CB-458 2PC/SET	1	SET
078			632K41-0	BRUSH HOLDER UNIT	1	PC.
079			631936-8	LIGHT CIRCUIT	1	PC.
080			266326-2	TAPPING SCREW M4X18	3	PC.
081			457354-0	HANDLE COVER	1	PC.
082			266385-6	TAPPING SCREW M4X14	1	PC.
083			687681-3	STRAIN RELIEF	1	PC.
084			682559-5	CORD GUARD 8	1	PC.
085			664895-1	CORD W/PLUG 2P-18-4.0M,SJ	1	PC.
086			651087-1	SWITCH	1	PC.
087			853K16-8	NAME PLATE F/HR1841F	1	PC.
088			813E00-9	CLEAR LABEL	1	PC.

ACCESSORIES

- Visit www.makita.ca for more accessories information -

A01			415486-9	DEPTH GAUGE	1	PC.
		INC.	162315-4	LATCH	2	PC.
		INC.	324679-6	SHAFT	1	PC.
		INC.	457340-1	HANDLE	1	PC.
A02			821703-1	PLASTIC CARRYING CASE	1	PC.
A03			813D73-6	PLASTIC CARRYING CASE LABEL F/HR1841F	2	PC.
		INC.	931402-8	HEX NUT M8	1	PC.
A04			158057-6	GRIP 36 COMPLETE	1	PC.
A05			194581-5	GRIP BASE SET - Use with Dust Cup 198362-9	1	PC.
		INC.	450120-4	GRIP BASE 15	1	PC.
		INC.	122810-6	SPACER 18 ASSY	1	PC.
		INC.	921919-9	HEX HEAD BOLT M8X110	1	PC.
A06			198362-9	DUST CUP SET - Use with Grip Base 194581-5	1	PC.
A07			198626-1	HAMMER SERVICE KIT	1	PC.
		INC.	195127-0	MAKITA GREASE RB NO.00, 30G	1	PC.
		INC.	213117-2	O RING 11	1	PC.
		INC.	213832-8	O RING 13	1	PC.
		INC.	216022-2	STEEL BALL 7.0	1	PC.
		INC.	233942-5	RING SPRING 22	1	PC.
		INC.	286037-3	CAP 34	1	PC.
		INC.	961057-5	RETAINING RING S-17	1	PC.
		INC.	195025-8	CARBON BRUSH CB-458 2PC/SET	1	SET
A08			122574-2	1/2"DRILL CHUCK ATTCH,SDS-PLUS	1	PC.

Item No.	Type	Sub	Part No.	Description	Qty	Unit
		INC.	192877-8	1/2" DRILL CHUCK	1	PC.
		INC.	751106-4	CHUCK ADAPTER SDS-PLUS	1	PC.
		INC.	251425-3	-FL HD SCREW M6X22	1	PC.
A09			D-14093	CHUCK ADAPTER ASSY SDS-PLUS	1	PC.
		INC.	751106-4	CHUCK ADAPTER SDS-PLUS	1	PC.
		INC.	251425-3	-FL HD SCREW M6X22	1	PC.
		INC.	824711-1	PLASTIC CASE (N/A)	1	PC.
A10			763432-9	CHUCK KEY S13	1	PC.
A11			192877-8	1/2" DRILL CHUCK	1	PC.
A12			421342-3	DUST CUP 5	1	PC.
			421664-1	DUST CUP 9	1	PC.
A13			---	SAFETY GOGGLES	1	PC.
A14			194683-7	GREASE VESSEL SET, 100CC	1	PC.
A15			765009-6	BLOW-OUT BULB 64	1	PC.